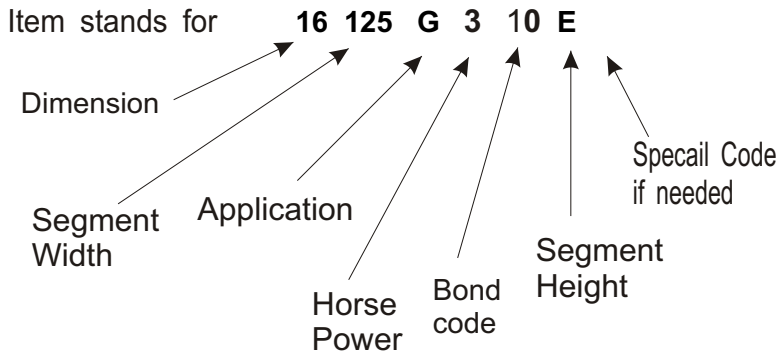




Green Concrete diamond blades

for Walk-behind saws



Special arbor configurations or options will be added at the end of the part number if needed. See Blade Coding System link for details.



Green Concrete on 35hp to 90hp Saws

Dia. (")	Width (")	Item #
14"	.125"	14125G310E
	.140"	14140G310E
	.155"	14155G310E
	.187"	14187G310E
	.220"	14220G310E
	.250"	14250G310E
	.375"	14375G310E
16"	.125"	16125G310E
	.140"	16140G310E
	.155"	16155G310E
	.187"	16187G310E
	.220"	16220G310E
	.250"	16250G310E
18"	.125"	18125G310E
	.140"	18140G310E
	.155"	18155G310E
	.187"	18187G310E
	.220"	18220G310E
	.250"	18250G310E

